

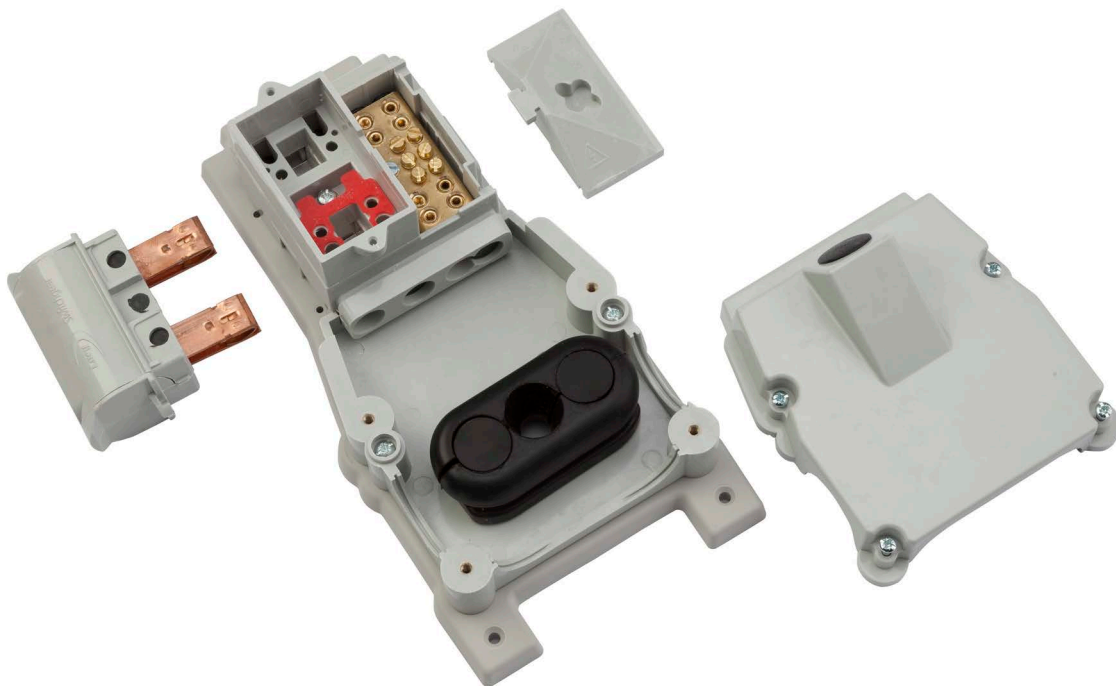
House Service Cut Out

SPN Replacement Live Wiring Cut Out

100A rated

Overview

Designed as direct replacements for cast iron cut outs and capable of being cabled under live working conditions. The cut out is reversible therefore can accept the live conductor on the right- or left-hand side. The grommet entries can be arranged to suit the existing cable set, thereby avoiding having to bend the fragile PILC cable.



Features

- Two incoming and outgoing Phase and Neutral terminations which accept up to 35mm² conductors in either copper or aluminium, stranded or solid
- Reversible Cut out accepts Phase conductor on left or right
- Flame retardant mounting board c/w fixing screws
- Optional Earth fly lead c/w in-line brass terminal and stainless steel constant pressure spring tabs
- Split triple entry sealing grommet can be safely positioned round existing set of live service cable
- Silver plated Phase terminal contact block
- Serrated bores on Phase/Neutral terminal contact blocks with two M8 hexagon drive screws per conductor
- Earth / Timer connections on N/E block accept up to 25mm² conductors
- Safety interlocked mouldings. N/E cover moulding cannot be removed until fuse carrier has been withdrawn
- Blanking discs for unused cable entries provided

Note: The equipment described in this data sheet must be installed by suitably qualified personnel according to applicable Local / National Wiring regulations currently in force.

Construction

- Body, base and cover.....Glass reinforced polyester DMC in RAL 7035 colour
- Terminal blocks.... Brass (silver plated on Phase)
- Fuse link contacts.....Hard drawn high conductivity copper, unplated
- Cut out mounting board..... Flame retardant polypropylene

Fuse characteristics

- 100A.....57 x 30mm Type IIb BS1361

Performance

- Rated voltage..... 230/400V a.c.
- Max rated current.....100A
- Supply frequency..... 50-60Hz
- Flammability rating...UL 94 VO, self extinguishing 30 seconds at 960° C
- Recommended terminal torque.....3.25Nm
- Fuse short circuit rating.....33kA at 0.3pf

Conformity to Standards

- Conforms to BS 7657:2010
- Accepts fuse links in accordance with BS1361:1991

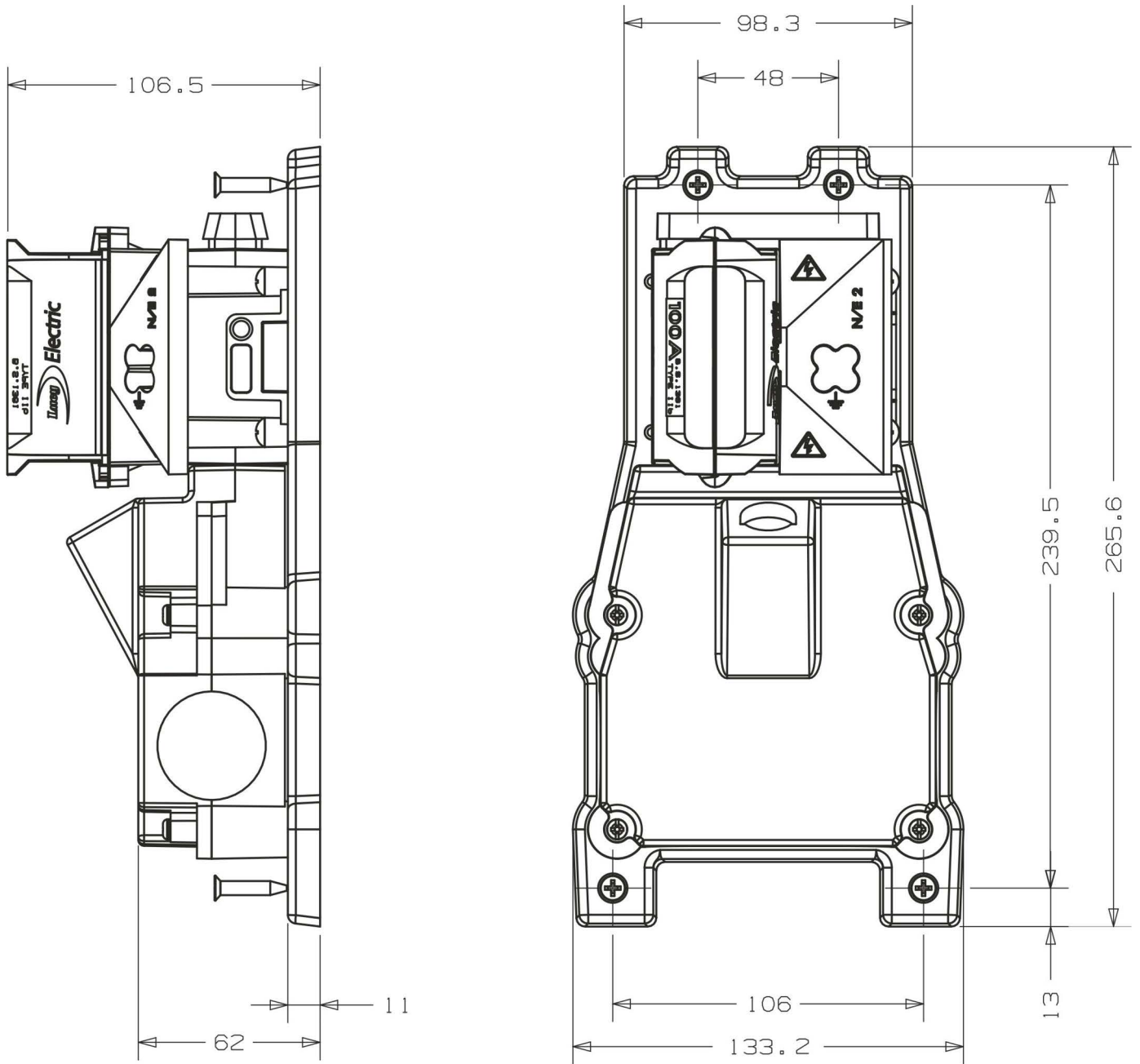
Dimensions

- Height.....270mm
- Width.....130mm
- Depth.....110mm

Weight

- Weight (excluding fuse).....1.22kg

General arrangement diagram
(dims in mm)



Disclaimer: Lucyelectric has a policy of continuous research and development thus accordingly reserves the right to change the design and specifications of its products without prior notice or liability.

www.lucyelectric.com