

# Sub Mains Distribution Boards

## Fused incomer 2, 3, 4, 5 and 6 way, 630A rated

### Overview

Indoor surface mounting sub mains distribution boards which accept a single incoming 3 phase supply up to 630A having 2, 3, 4, 5 or 6 triple pole outgoing BS 88 J type fuse ways with 92mm centres.



**5 way Sub Mains Distribution Board**

### Features

- Pre galvanized mild steel cabinets finished in a durable polyester powder coating
- Main fused cable connects directly to busbar via 300mm<sup>2</sup> shear off mechanical connectors
- Configured for 3 core CNE cable (4 core SNE kits available)
- Fully shrouded main incoming terminals
- Main incoming cables installed on left-hand side with top or bottom cable entry options
- Outgoing cables top exit only
- Quick release double doors with separate earth bonding leads fitted
- Padlock facility on door
- 180 degree door opening
- Four point fixing with stand-offs for uneven surfaces

**Note:** The equipment described in this data sheet must be installed by suitably qualified personnel according to applicable Local / National Wiring regulations currently in force.

## Product Characteristics

### Cable capacities

- Incoming: 1 x 300mm<sup>2</sup> 4 core Waveform
- Outgoing: 1 x 185mm<sup>2</sup> 4 core Waveform

### Cable types

- Waveform aluminium, 3C, 4C
- Steel wire armoured, 3C, 4C (requires additional gland plate kit)

### Connector types

- Phase and neutral, mechanical shear off
- 95mm<sup>2</sup> to 300mm<sup>2</sup> capacity
- Earth, brass terminal 115mm<sup>2</sup> capacity
- Phase stalks have 14mm diameter hole for connector attachment

## Performance

- Rated insulation voltage..... 690V a.c
- Continuous rating..... 600A
- Supply voltage..... 415V ac
- Frequency.....50-60Hz

## Operator Protection

- All shrouds and fuse handles in place.....IP2XB
- Operational condition, both doors closed..... IP3X

## Enclosure Specification

- Oven-cured epoxy powder coated finish with a minimum thickness of 50 microns
- Standard colour admiralty grey to BS 381C, shade No 632
- Zinc coated mild steel enclosure

## Internal equipment

- Fully rated neutral and earth bars
- 3 x BS 88 J type 92mm centre fuse handles per TP way

## Conformity to Standards

- Third party tested to BSEN 60439-1
- IP rating to BSEN 60529

## Dimensions

All variants

- Height.....1003mm
- Depth.....257mm

6 way

- Width.....1560mm

5 way

- Width.....1360mm

4 way

- Width.....1150mm

3 way

- Width.....950mm

2 way

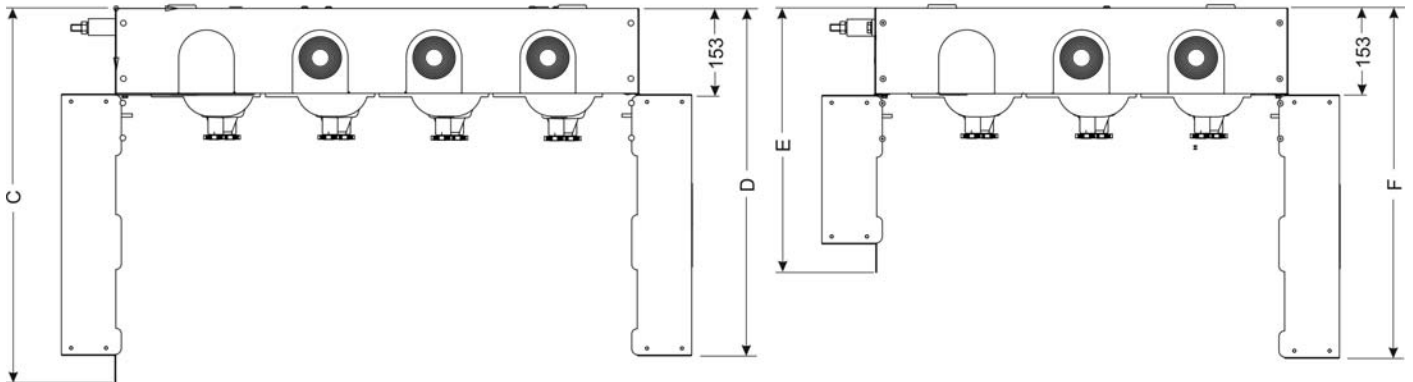
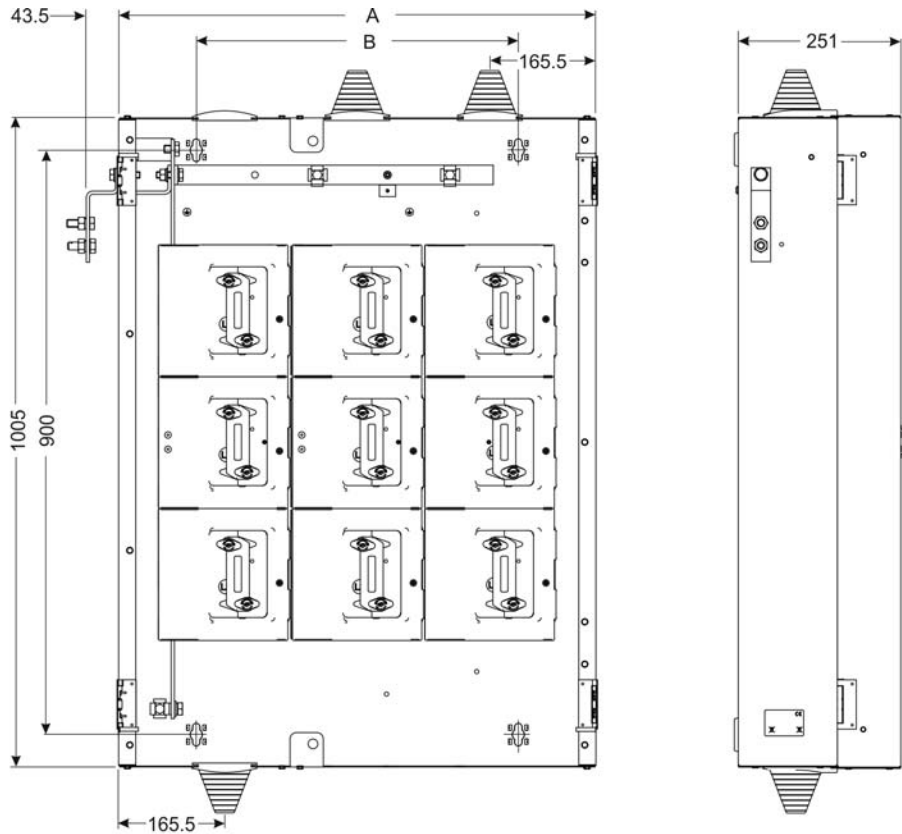
- Width.....750mm

## Weight (excluding fuses)

- 6 way..... xxx.xkg
- 5 way..... 115kg
- 4 way.....xxx.xkg
- 3 way.....76.6kg
- 2 way.....xxx.xkg

## General arrangement diagrams

(dims in mm)



**Symmetric Doors (1, 3 & 5 way)**

**Asymmetric Doors (2, 4 & 6 way)**

Configuration	Dimensions In mm						Gross Weight (kg)	Stripped Down Weight* (kg)
	A	Horizontal fixing Centres B	Symmetric Doors C, D		Asymmetric Doors E, F			
1 - Way	536	296	469	424	-	-	-	-
2 - Way	750	498	-	-	469	624	-	-
3 - Way	950	674	656	624	-	-	76.6	-
4 - Way	1150	908	-	-	674	829	-	-
5 - Way	1360	1113	879	829	-	-	115	-
6 - Way	1560	1318	-	-	879	1034	-	-

\* Stripped down weight means all fuse handles, screens, live connector shrouds, connectors, ancillary bolt packs and both doors removed.

**Disclaimer:** Lucy Electric has a policy of continuous research and development thus accordingly reserves the right to change the design and specifications of its products without prior notice or liability.

[www.lucyelectric.com](http://www.lucyelectric.com)