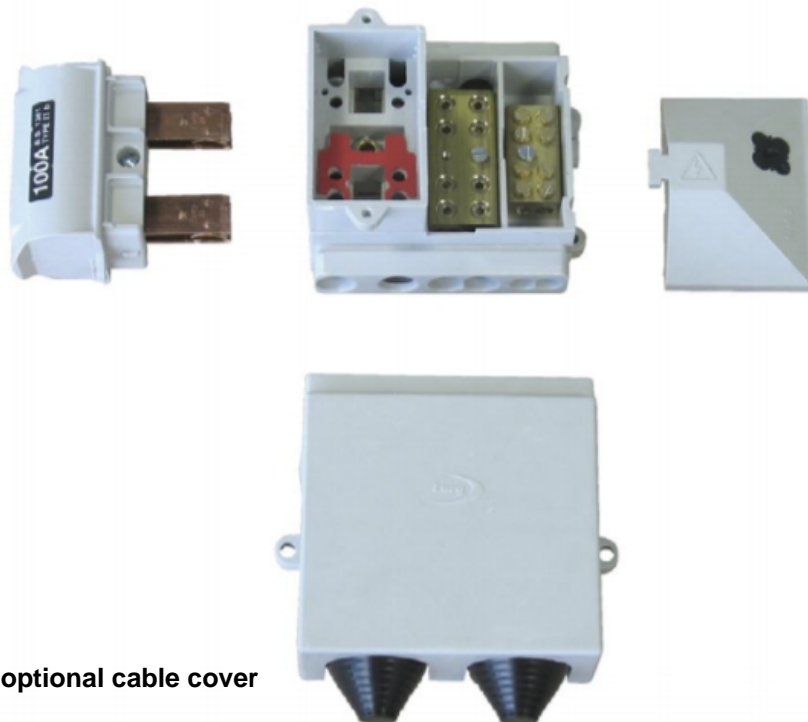


House Service Cut Out

Single Pole Separate Neutral Earth (SNE): 60 / 80A rated, 100A rated

Overview

Devices accepting BS 1361 cylindrical cartridge fuses having separate Neutral and Earth blocks.



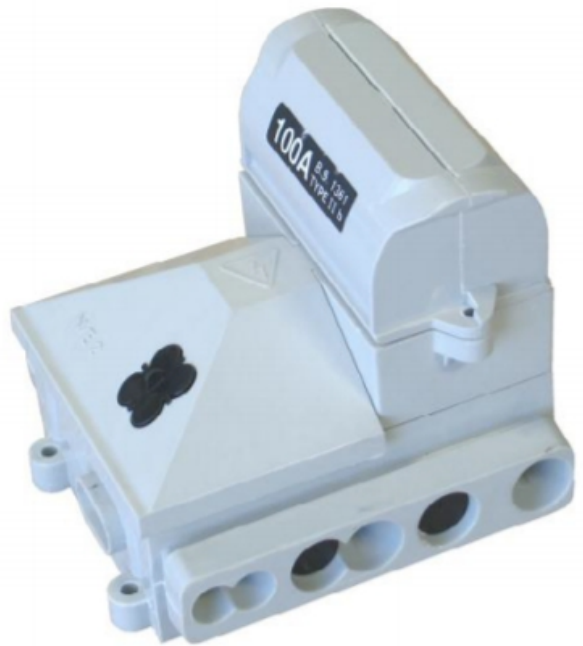
Shown with optional cable cover

Features

- Two incoming and outgoing Phase and Neutral terminations which accept up to 35mm² conductors in either copper or aluminium, stranded or solid
- Identical incoming and outgoing flange profile means that unit is rotatable through 180°.
- Silver plated Phase terminal contact block
- Serrated bores on Phase/Neutral terminal contact blocks with two M8 3mm hexagon drive screws per conductor
- Earth / Timer connections on N/E block accept up to 25mm² conductors
- Safety interlocked mouldings. N/E cover moulding cannot be removed until fuse carrier has been withdrawn
- Sealing wire facility
- Blanking plugs for unused cable entries provided
- Reversible mounting
- Accessories available include cable cover, cable chamber and busbar extensions

Note: The equipment described in this data sheet must be installed by suitably qualified personnel according to applicable Local / National Wiring regulations currently in force.

Flange and termination details



Identical sized flanges enable fuse cut out to be rotated through 180° whilst still maintaining compatibility with terminal cover.



Red incoming supply marking also reversible.

Construction

- Body, base and cover.....Glass reinforced polyester DMC in RAL 7035 colour
- Terminal blocks.... Brass (silver plated on Phase)
- Fuse link contacts.....Hard drawn high conductivity copper, unplated

Fuse characteristics

- 60/80A57 x 22mm Type IIa BS1361
- 100A57 x 30mm Type IIb BS1361

Note:Different combinations of fuse cut outs can be ganged to create a range of Triple pole variants with corresponding accessories

Performance

- Rated voltage..... 240/415V a.c.
- Max rated current.....100A
- Supply frequency..... 50-60Hz
- Flammability rating...UL 94 VO, self extinguishing 30 seconds at 960° C
- Recommended terminal torque.....3.25Nm
- Fuse short circuit rating.....33kA at 0.3pf

Conformity to Standards

- Conforms to BS 7657:2010
- Accepts fuse links in accordance with BS1361:1991

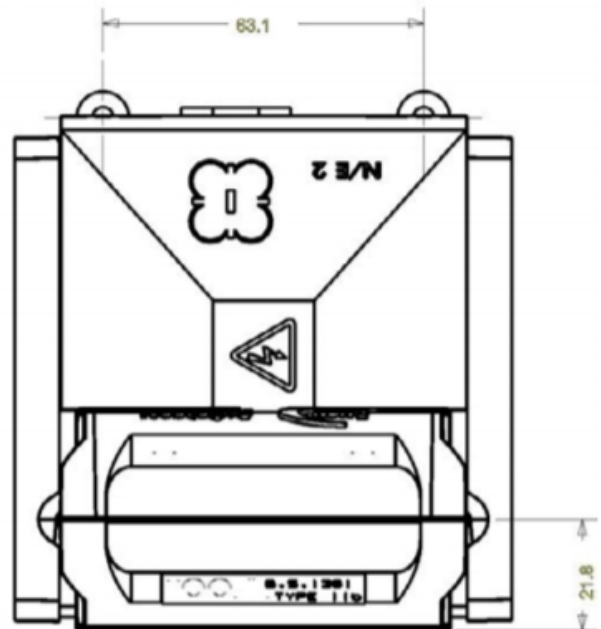
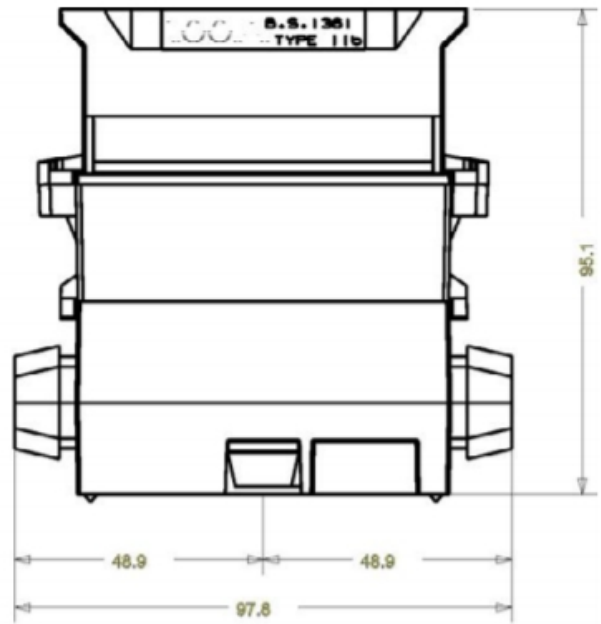
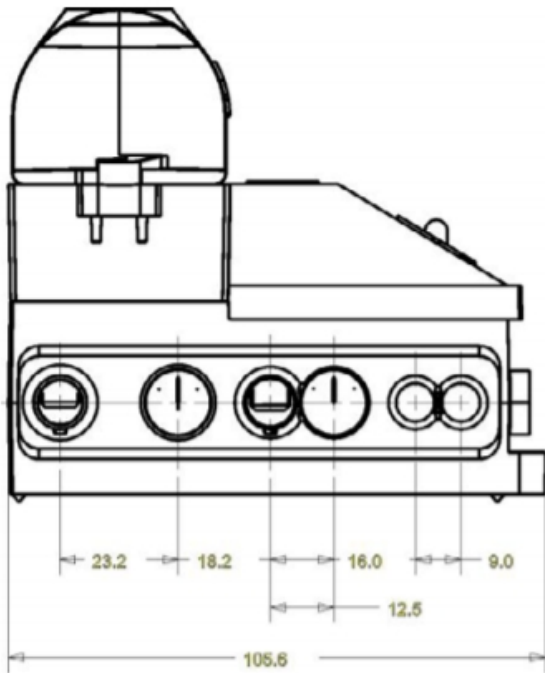
Dimensions

- Height.....98mm
- Width.....106mm
- Depth.....96mm

Weight

- Weight (excluding fuse).....0.82kgs

General arrangement diagram
(dims in mm)



Disclaimer: Lucy Electric has a policy of continuous research and development thus accordingly reserves the right to change the design and specifications of its products without prior notice or liability.

www.lucyelectric.com