

Technical Datasheet

PMC 400 Pole Mounted Cut Out

400A Rated

Overview

All insulated pole mounted device for the containment of an overhead single pole fuse. Requires a BS 88 J type slotted tag fuse with 82mm centres.



Features

- Fixed M12 studs for cable lug attachment
- Captive external cover screws with brass thread inserts
- Fine pitch thread for fuse holder wedge tightening screws
- Supplied with M10 x 90mm coach screw for fixing to wooden pole
- Single keyhole fixing allows unit to be hung on pre-fitted coach screw
- Test probe access in fuse handle
- Two flexible “doughnut” style cable sealing bushes provided
- Maximum size incoming cable: 300mm²
- Suitable for compression or mechanical shear bolt lugs
- Accepts BS 88 fuses with 82mm centres
- Facility to secure fuse handle to cut-out body with a lanyard during maintenance

Note: The equipment described in this data sheet must be installed by suitably qualified personnel according to applicable Local / National Wiring regulations currently in force.

Construction

- Body and cover..... PBT (Polybutylene Terephthalate) and ASA (Acrylic Styrene Acrylonitrile) blended material, Glass filled
- Phase busbars..... Electro-tin plated copper
- Cable sealing glands..... Polyurethane foam
- Fuse tang clamping wedges.....Brass

Performance

- Rated voltage..... 240 / 415V a.c.
- Rated current..... 400A
- Supply frequency..... 50-60Hz
- Operator protection, (cover in place)..... IP43
- Short circuit withstand strength.....18kA
- Flammability rating.....UL94 V2 self-extinguishing 30 seconds at 960° C

Operator Protection

- Fuse handles in place..... IP3XB

Conformity to Standards

- Conforms to BS 7656: 1993
- Accepts fuses conforming to BS 88
- IP rating to BSEN 60529

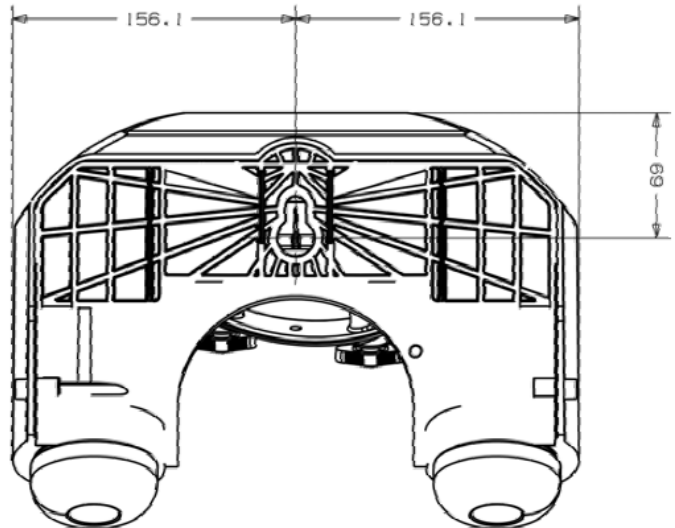
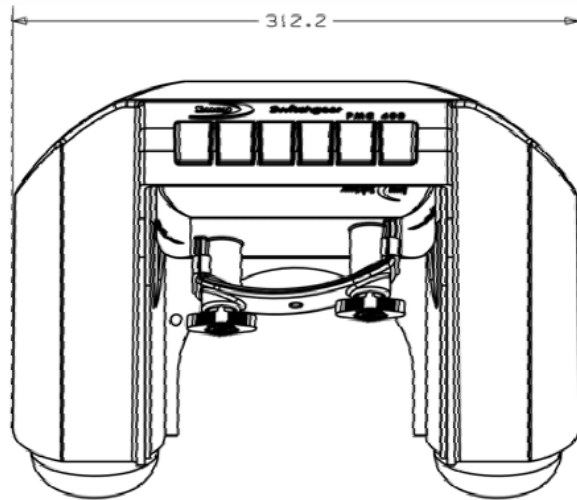
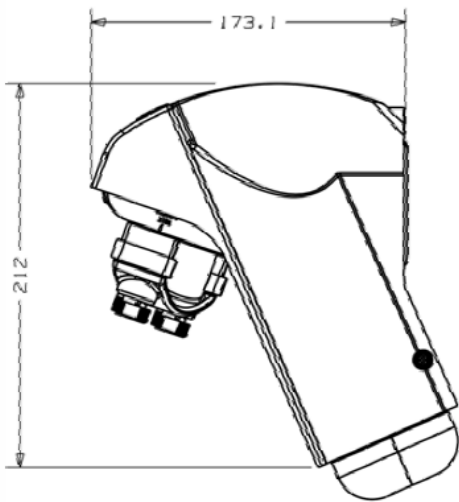
Dimensions

- Height.....217mm
- Width.....310mm
- Depth.....180mm

Weight

- Weight (excluding fuse)..... 2.56kg

General arrangement diagrams
(dims in mm)



Single central fixing for M10 coach screw

Disclaimer: Lucy Electric has a policy of continuous research and development thus accordingly reserves the right to change the design and specifications of its products without prior notice or liability.

www.lucyelectric.com