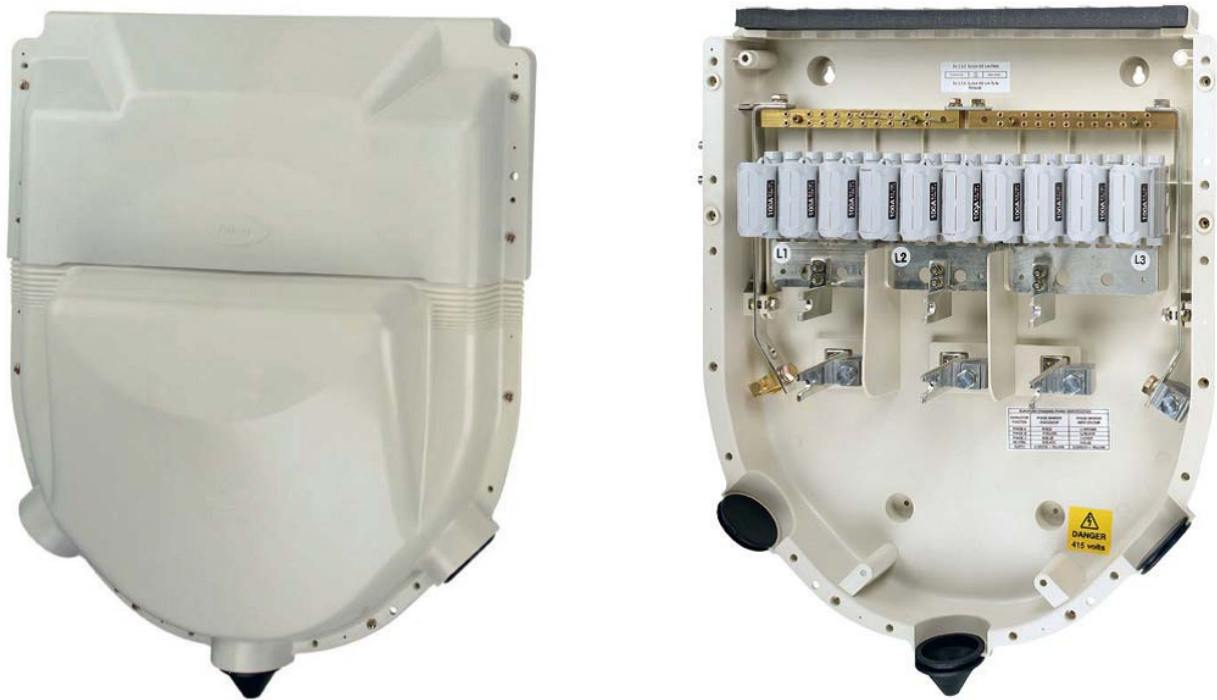


Multi Service Distribution Board

GFP10 - 315A Rated 10-Way

Overview

All insulated horizontal distribution boards fitted with 10 outgoing 100A rated fuse ways. Suitable for direct connection to supply network via cable lug or mechanical shear-off connectors. For indoor installation only.



Features

- Interlocking upper and lower covers giving access firstly to outgoing ways followed by access to incoming terminal chamber
- Fully rated Neutral and Earth bars
- Incoming terminations via mechanical connectors with shear-off heads for 95mm² to 185mm² section conductors
- Direct connection of supply on to busbars
- Sealing wire facility
- Removable N/E link for use with CNE and SNE systems
- Internal transparent screen over N/E bars and outgoing cables
- 3 position entry for incoming supply cable
- Keyhole fixings on uppermost body attachment points
- Two external M12 earth studs

Note: The equipment described in this data sheet must be installed by suitably qualified personnel according to applicable Local / National Wiring regulations currently in force.

Construction

- Enclosure..... Glass re-inforced polyamide 6
- Terminal blocks..... Brass
- Transparent terminal shield..... Polycarbonate
- Cable shrouds..... Synthetic nitrile rubber
- L, N and Earth metalwork..... Electro-tin plated copper

Performance

- Rated voltage..... 415V a.c
- Busbar rating..... 315A nominal
- Supply frequency..... 50-60Hz
- Rated insulation voltage.....690V ac
- Short circuit withstand current.....10kA
- Flammability rating.....UL94 VO self-extinguishing 30 seconds at 960° C

Operator Protection

- In service condition, all covers and fuse carriers in place..... IP3X
- Outgoing cover removed, shrouds in place... IP2X

Internal equipment

- Factory fitted with BS 7657 100A rated SP outgoing ways (BS88 30 x 57mm cylindrical cartridge fuses, not supplied)
- Serrated cable bores on 100A outgoing ways accept up to 35mm² solid or stranded conductors

Conformity to Standards

- Third party tested to BSEN 60439-1
- IP rating to BSEN 60529
- Outgoing 100A rated fuse ways conform to BS 7657:2010
- RoHS compliant

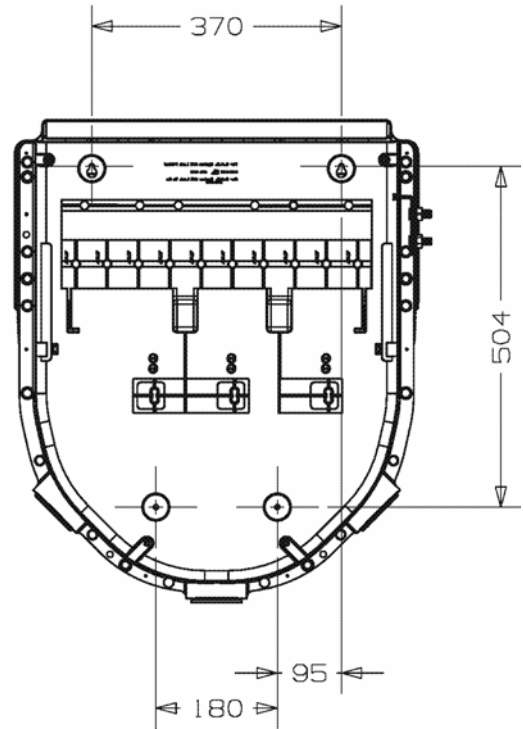
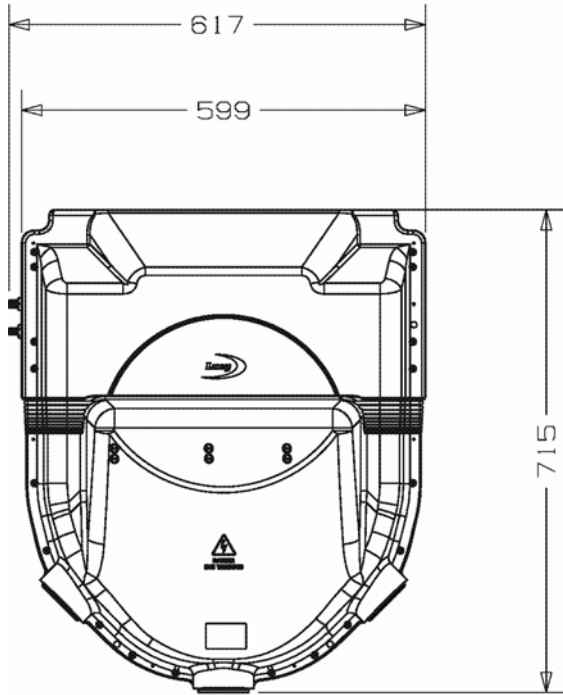
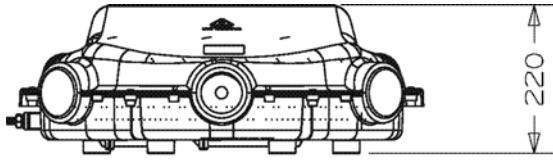
Dimensions

- Height.....715mm
- Width.....622mm
- Depth.....162mm

Weight

- Net weight..... 13.8kg

General arrangement diagrams
(dims in mm)



Disclaimer: Lucy Electric has a policy of continuous research and development thus accordingly reserves the right to change the design and specifications of its products without prior notice or liability.

www.lucyelectric.com