

## Technical Datasheet

# MLNS 6-Way

## All insulated connector box

### Overview

Surface mounting six way connector box for single pole applications



### Features

- Electro-tin plated terminal block for improved conductivity
- Serrated cable bores accept conductors up to 70mm<sup>2</sup> section
- Two M8 slotted head cable pinching screws per conductor
- Sealing wire facility
- Captive cover screws attach to brass inserts in the base
- Thin wall knockouts for unused cable entries
- Tapered cable entry shrouds extended over cable insulation

**Note:** The equipment described in this data sheet must be installed by suitably qualified personnel according to applicable Local / National Wiring regulations currently in force.

## Construction

- Body and cover..... Thermo set urea
- Terminal blocks..... Electro-tin plated brass
- Terminal pinching screws.....Brass

## Performance

- Rated voltage..... 440V a.c.
- Rated current..... 200A
- Supply frequency..... 50-60Hz
- Flammability rating.....UL94 VO self-extinguishing 30 seconds at 960° C
- Recommended terminal torque..... 3.5Nm

## Operator Protection

- Operator protection, (70mm<sup>2</sup> conductors, cable insulation fully abutted).....IP4X

## Conformity to Standards

- Conforms to BS 7657:1993
- IP rating to BS EN 60529

## Dimensions

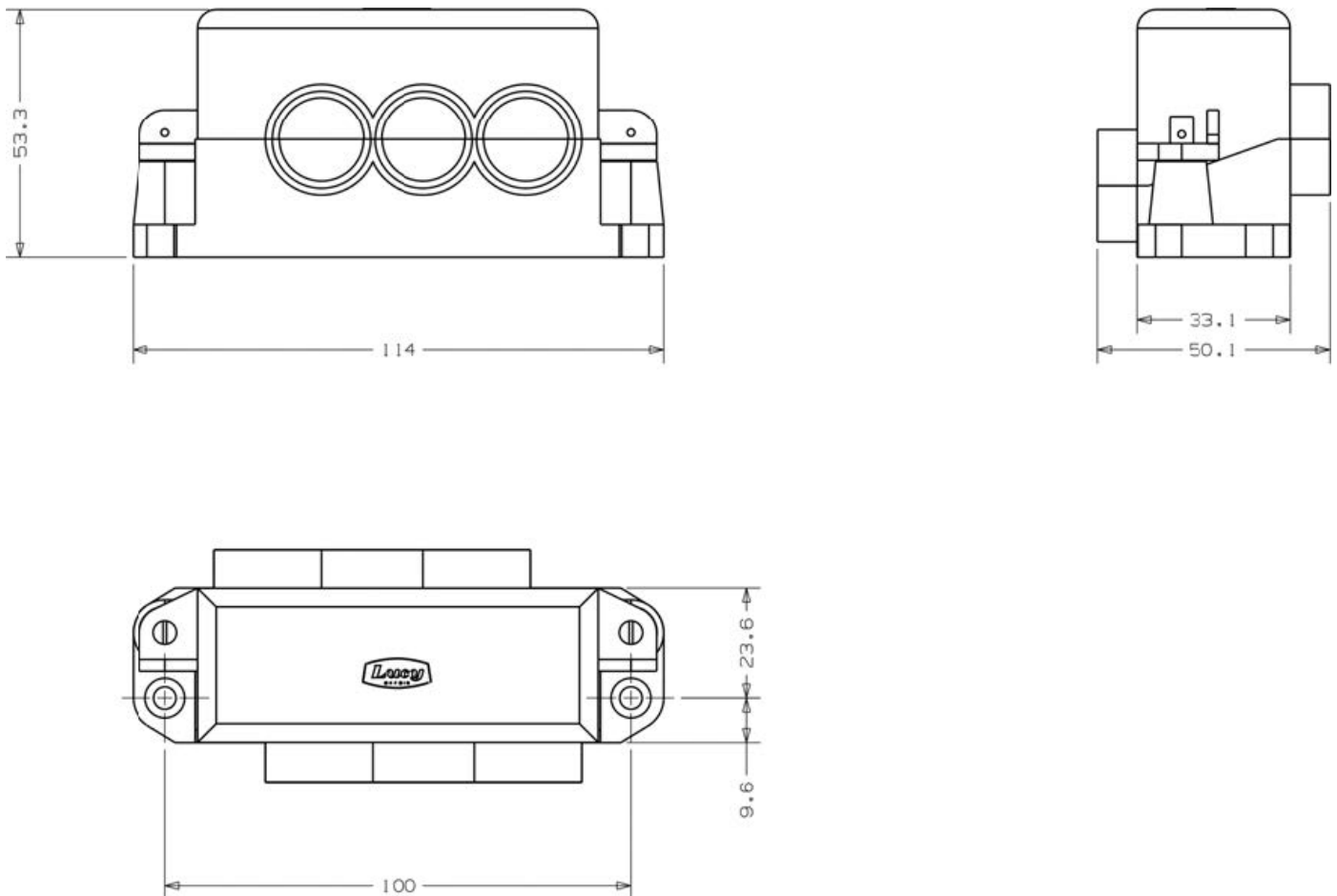
- Height.....115mm
- Width.....51mm
- Depth.....55mm
- Fixing centres.....100mm

## Weight

- Net weight..... 0.416kg

## General arrangement diagrams

(dims in mm)



**Disclaimer:** Lucy Electric has a policy of continuous research and development thus accordingly reserves the right to change the design and specifications of its products without prior notice or liability.

[www.lucyelectric.com](http://www.lucyelectric.com)